



News you can use

Editor, Patsy Whitehead, CCC

Featured above: Nolin RECC Projects Coordinator
Marlene Slayton, 18 years of service

Earth Day 2010

April 22 is Earth Day, an annual holiday celebrated in the United States since 1970. It was the brainchild of U.S. Senator Gaylord Nelson of Wisconsin, who hoped to raise environmental awareness.

Like our neighbors, Nolin RECC loves Earth Day. But there may be a key difference in how we mark the holiday: for us, every day is Earth Day. Protecting the environment is our way of life.

For instance, on April 14, our power supplier, East Kentucky Power Cooperative (EKPC), will hold the grand opening of its sixth landfill gas power plant, this one in Mason County. EKPC already has similar plants in Boone, Laurel,

Greenup, Pendleton, and Hardin counties.

These plants are part of our EnviroWatts initiative. They transform methane, a greenhouse gas produced when landfill waste decays, into clean, renewable electricity. The methane we turn into fuel is methane that does not get released into the atmosphere.

Together, our landfill plants save Kentucky's environment from the equivalent amount of carbon dioxide (CO₂) emitted by burning 3,732 railcars' worth of coal or consuming 80.4 million gallons of gasoline.

Another part of Nolin's EnviroWatts program allows members to purchase 100 kilowatt-hour blocks of energy generated by renewable resources. It costs a bit more because renewable resources are limited.

You can buy a block for \$2.75 a month, which is added to your monthly utility bill for a minimum of a year. One block will, over the course of that year, save the equivalent of two barrels of oil imported to the United States or the burning of 1,200 pounds of coal.

You can discover additional ways to help the environment by following our EnviroWatts posts on Twitter and Facebook. The Twitter address is www.twitter.com/envirowatts. On Facebook, search for "EnviroWatts" using Facebook's search box, then become a fan.

Nolin RECC is always finding creative ways to provide you environmentally friendly power.



Mickey Miller
President & CEO



On the inside...

Appliance Rebates	40B
Annual Meeting Date Set	40E
Surge Protection	40G

Bounties for 'Energy Hogs'

Waiting for the right moment to replace your fridge? What about your 30-year-old washing machine? If so, the time has come.

By the end of last year every U.S. state and territory had designed a federal "Cash for Appliances" program. Some of these offerings launched in late 2009; others begin this spring. The \$300 million rebate effort, part of the American Recovery and Reinvestment Act (also known as the stimulus bill), aims to make homes more efficient while stimulating the economy.

Kentucky was given \$4 million for the project. Although it may sound like a lot, the funds are not expected to last long and will be issued on a first-come, first-served basis until the money is gone.

Rebates are available on a wide array of ENERGY STAR-labeled products, ranging from \$50 to \$250 per appliance. Since each state designed its own program and selected which appliances to include, the value of rebates and the qualifying time period for purchases differ. In some cases, states also limit rebates to consumers with certain income levels.

Beginning April 22, you can make rebate reservations online at www.KYApplianceRebates.com. You must make your purchases and submit appropriate documentation within 14 days of placing your reservations. To view specific details on the program, visit www.energysavers.gov/rebates.

Although each state's program remains unique, DOE recommended rebates for ENERGY STAR-qualified appliances in these categories: boilers, central air conditioners, clothes washers, dishwashers, freezers, furnaces (oil and gas), heat pumps (air-source and geothermal), refrigerators, room air conditioners, and water heaters.

Remember...rebates will be available until each state's budget has been spent or February 2012, whichever comes first. Only purchases that replace existing appliances are eligible.



Kentucky Appliance Rebate Program

Beginning April 22, you can buy the following ENERGY STAR appliances and be eligible for these rebates.*

Product	Rebate
Clothes washers	\$100
Dishwashers	\$50
Refrigerators	\$50
Freezers	\$50
Room air conditioners	\$40
Gas condensing water heaters	\$200
Electric heat pump water heaters	\$400
Hi-efficiency gas storage water heaters (EF>=0.62)	\$50
Hi-performance gas storage water heaters (EF>=0.67)	\$100
Gas tankless water heaters	\$300
Solar water heaters (electric backup)	\$400
Solar water heaters (gas backup)	\$400
Central air conditioners	\$100
Air source heat pumps	\$400
Geothermal heat pumps	\$400
Gas furnaces	\$300
Gas boilers	\$200

* Participants are limited to one rebate per appliance category.

03-20-0099-02

Sandy Yates Retires

When Nolin RECC employee Sandy Yates told her 13-year-old granddaughter, Mattie, that she planned to retire the first of March, Sandy received a response that she will long remember. “Nana, you are about to cross over into a new adventure in your life,” says Mattie. “It’s every woman’s dream. You get to fish...you get to hunt... and you get to spend more time with me.”

Sandy will indeed be spending more time with Mattie and her three other grandchildren—one that just arrived February 15. She also looks forward to the arrival of a fifth grandchild in the next few months. But this Nana does more than stay at home—she loves to fish and hunt and plans to get back to the hunting grounds as soon as possible.

Sandy and her husband, Dennis, enjoy the outdoors together. The couple loves to travel to Kentucky Lake as well as local lakes on the weekends. They also enjoy hunting deer and turkey and have several deer mounts in their Upton home. “I like bow hunting for deer,” says Sandy. “I get in a deer stand before daylight and enjoy the peaceful surroundings.”

When Sandy began working at Nolin, she wasn’t much older



than her granddaughter, Mattie. She came to Nolin in October 1976, soon after graduating from East Hardin High School. She worked at the drivethrough window and remembers posting meter readings by hand on big ledgers. In the '80s, Sandy worked as Nolin’s switchboard operator and day-time dispatcher. Some may know Sandy from the Radcliff office where she worked as a customer service representative. Having such a broad scope of knowledge and experience at Nolin helped Sandy in her most recent position in the Nolin RECC Call Center.

Sandy says she is excited about retirement, but will miss working with Nolin members. She especially liked meeting so many folks from different areas while working in the Radcliff office. “I felt like I was really helping the military families with more than their electric needs and

connecting their electricity—many times I was able to help them with questions about the community—I felt connected to Nolin members.”

These days we will find Sandy spending more time connecting with her children; Marty, Clinton, Tamie, and Christina, and grandchildren. Enjoy your retirement and happy hunting!

Providing More than Electricity

Nolin participates in Lincoln Trail Home Builder’s EXPO

Nolin RECC personnel were hard at work at the Lincoln Trail Home Builder’s EXPO to talk with members and visitors about home insulation, efficient lighting, heating and cooling equipment, and other co-op related topics.

Information on simple ways to reduce energy consumption was distributed to more than 1,200 people who attended the Home EXPO.

Nolin RECC Energy Management Coordinator Todd Drake (left) talks with Norman and Valerie Lambert at the Lincoln Trail Home Builder’s EXPO. The Lamberts plan to install a geothermal heating and cooling system in their new home.



Another great scholarship opportunity

The Kentucky Women in Rural Electrification (W.I.R.E.) will award up to three scholarships in the amount of \$1,000 each to Kentucky college students.

The Kentucky W.I.R.E. is an organization of wives of rural electric cooperative directors, managers, and other key employees. Its goal is to further the public's understanding and appreciation of the rural electric program.

The scholarship is open to any eligible student whose immediate family is served by a Kentucky rural electric cooperative. To qualify, applicants must be a junior or senior with at least 60 hours of credits at a Kentucky college or university by the start of the fall term.

To apply, call the Nolin office at (270) 765-6153 and ask for Patsy Whitehead. Deadline for application is June 16.



Electric cooperative employees, directors, managers, and their relatives, and those of Big Rivers Electric Corporation, East Kentucky Power Cooperative, and the Kentucky Association of Electric Cooperatives, are not eligible for the W.I.R.E. scholarship.

The Value of Electricity *A dollar's worth can get you:*

36 
(intense) hours of gaming

48 
hours of watching TV

72 
freshly-ironed shirts

72 
hours of laptop Internet access

100 
hot pots of coffee

375 
pieces of toast (nicely browned)

Sources: U.S. Department of Energy;
National Rural Electric Cooperative Association

Mark your calendar for June 11

Annual Meeting Fast Approaching

Mark your calendars and tell all your friends—the Nolin RECC annual meeting is Friday, June 11! John Hardin High School will once again serve as a perfect location and a beautiful facility to hold your annual meeting.

Member registration begins at 5:30 PM. After members register, they can enjoy the early entertainment, visit the health and exhibit fair, watch the children play games, or relax to a delicious dinner while waiting for the 7:00 PM business meeting.

YOUR OWNERSHIP IN NOLIN RECC is very important. Each year a business meeting is held to discuss issues and new information affecting your cooperative. You have six directors that represent your interests in the co-op, and each one serves a three-year term.

The director election process is designed so that two of your six director seats are up for re-election each year. The two directors completing their term in 2010 are Gene Straney (District 2) and Lawrence Ireland (District 6). Both have agreed to have their names placed on the ballots for re-election to the board.

In early June you will receive ballots in the mail along with your annual meeting official notice. It is your responsibility and

privilege to vote for the director of your choice in districts 2 and 6. As a member of Nolin, you are entitled to decide who serves on the board. Please remember to vote during the director elections and return your ballot to Nolin RECC.

**Nolin RECC Annual Meeting
Friday, June 11, 2010
John Hardin High School
384 W. A. Jenkins Road, Elizabethtown.**



27-21-0012-02

Morgan Morrow (left) and other Nolin RECC employees distribute buckets and CFL bulbs to members at last year's annual meeting.

Nolin RECC member Nelve McFarlin (above) helped Antsy McClain entertain the annual meeting crowd last year with his rendition of *Waltz Across Texas*.



There's a lot of talk about green power.

We offer it.

EnviroWatts, Kentucky's renewable energy.

www.envirowattsky.com

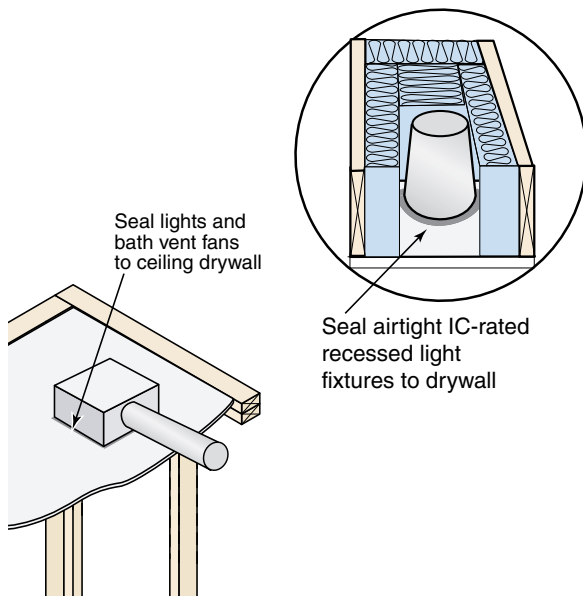

Earth Friendly Energy Alternatives

Homeowners often think the surest way to control energy loss in their house is to install insulation in the attic. However, if air leaks in the ceilings aren't sealed first, the money spent on insulation may be wasted because insulation doesn't usually block air flow. Here are tips for fixing some common problems.

Recessed lights:

Recessed lights, when installed in rooms below an unheated attic, can allow big air leaks. Unless recessed lights are clearly labeled as safe for installation beneath insulation, (I.C., or "Insulated Cover") such lights must be surrounded by an air space at least 3 inches wide. Ideally, lights designated as I.C.A.T. or "Insulated Cover, Air Tight" will provide the least heat loss through the ceiling.

Bathroom fans: Caulk around these from below with high-temperature caulk.



© 2008 East Kentucky Power Cooperative

Chimneys:

A chimney that runs from the basement through the attic should be sealed at both the basement ceiling and attic floor by use of sheet metal and fire-rated caulk. Never use combustible materials within 2 inches of chimneys.

Sewer vent pipes:

A sewer vent pipe typically runs vertically from the basement through the attic and should be sealed at both the basement ceiling and attic floor with wood, sheet metal and expanding foam.

Other leaks:

Seal holes around pipes or wiring that go through the ceilings with caulk or expanding foam.

Pull-down doors:

Make attic access doors and stairs airtight by using latch bolts and weather-stripping. Add an insulated cover to the back of the pull-down door. For more information, see the handout on pull-down attic stairs and attic hatches.

A word about a condition called "stack effect." Anytime there is conditioned air exiting through the ceiling, that air is being pulled in from somewhere, and with many homes that means either a crawl space or unconditioned basement. To avoid air loss through the attic, be mindful of holes down below that allow this condition to exist.

By repairing these common ceiling air leaks, up to one-third of a home's overall energy loss can be prevented.

Protecting investments Surge equipment on electronics offers peace of mind

If your family is like most, chances are you have multiple televisions, computers, and DVD/CD players. The cost of appliances and electronic equipment has increased over the last several years, and it has become necessary for families to protect their costly electronic investments.

Nolin offers a basic Whole House Surge Protection System for just \$6.00 a month. This two-level system starts at the meter base, where the grounding system on your home will be tested and a meter base device will be attached. This device protects all your major appliances (washer, dryer, refrigerator, range, etc.) from powerful surges.

The surge protection kit also includes a five-piece plug-in kit to protect your more sensitive electronics from less noticeable surges. The kit includes an eight-receptacle plug strip generally used for your computer system, a three-outlet wall-mount strip that can be used on your TV and VCR, and a single-outlet wall-mount device that can be used on anything from your garage door opener to your spare TV. Also included in the kit is a fax modem module to protect the phone line going to your computer, and a CATV module to protect the cable or antenna line going to your TV.

Several hundred Nolin members have taken advantage of Nolin's surge protection since the program began 10 years ago. Members may opt to purchase the equipment for just \$260 (plus tax) instead of leasing.

Protect your home and your peace of mind, call Nolin RECC at (270) 765-6153 today and ask for a Whole House Surge Protection System.



BE PREPARED To Safely Fly Kites and Avoid Downed Power Lines

There are few spring and summer activities more fun for children—and often for their parents—as flying kites. But kites, if not handled properly, can create serious dangers, too. Here are some guidelines for safely enjoying kites. Teach them to your children.

- Always look up first! Only fly kites in open areas, far away from power lines. Electricity seeks the shortest path to the earth, and a kite string can easily become an electrical conductor, killing the person holding the line. Even if the kite doesn't actually touch the power line, the kite and its string can build up enough static electricity to pass along a dangerous shock.

- If a kite does somehow get tangled in a power line, let go of it immediately and never try to untangle it yourself. Call your local utility company.

- If a kite gets snarled in a tree, don't climb the tree to retrieve the kite. Sometimes power lines run through tree branches, creating a hidden danger.

- Never fly a kite that has a wire instead of a string, and never fly a kite if its string is wet or covered in dirt. These factors make the kite even more likely to conduct electricity.

- Never fly a kite in stormy weather. Benjamin Franklin was lucky not to have been electrocuted while performing his famous experiment—so don't try it. Lofting a kite into a storm makes the kite a giant lightning rod: lightning will find it.

- Don't fly your kite over people or highways. Some kites can reach speeds of up to 80 miles an hour. If they crash, they can cause serious injuries to bystanders or cause drivers to wreck.

- Finally, whether or not your children intend to fly kites, remind them—particularly during the stormy spring season—never to go near a downed or low-hanging power line. These lines often carry enormous electrical charges. A sudden shift in the wind can quickly and violently blow the wire into a person. If people or pets do get caught in power lines, never touch them or otherwise attempt to free them. Their bodies can conduct the electrical charge. Instead, call 911.

Sources: Brownsville Public Utilities Board; A Wind of Change, Las Vegas; Lower Colorado River Authority; Portland General Electric; CESC Ltd; San Isabel Electric Association Inc.

Kentucky's
Touchstone Energy Cooperatives 



We've Got Your \$25 Number! \$25

WIN \$25 Worth of FREE Electricity

Nolin News features a contest called "We've Got Your Number." Hidden inside this issue are two randomly selected member account numbers. If you spot your account number, contact the Member Services Department at 765-6153, and win a **\$25 CREDIT on your electric bill**. You must identify your number and call by the 15th day of the month's issue containing your number. Account numbers could be anywhere in your *Nolin News!*

New Member Credits

All members signing up for new service with Nolin receive a short survey. Members who return the completed survey to Nolin are automatically eligible to win a \$20 credit on their electric bill. Each month, one name is drawn and a lucky Nolin member receives a bill credit on their next statement. Congratulations to our latest winner, **Marquinta E. Jacobs, of Radcliff.**

Online payments

Access your Nolin RECC account through our Web site at **www.nolinrecc.com**. Click on "YourAccount" to check your consumption history and make payments by debit card, Visa, or MasterCard. To apply for budget billing and automatic draft online, click on "Residential Bill Payment."

Saving with Co-op Connections



The Co-op Connections Card serves as much more than a Nolin RECC membership card.

Last year, nearly \$100,000 was saved by Nolin members using the pharmacy discount for prescription drugs. The card is also honored at several local, state, and national restaurants and businesses.

For a complete list of businesses that honor the Co-op Connections Card, log onto www.locateproviders.com or www.nolinrecc.com. If you do not have Internet access, call the Nolin RECC office at (270) 765-6153.

HOW TO REACH NOLIN RECC

ELIZABETHTOWN OFFICE

411 Ring Road, Elizabethtown, KY 42701-6767
8:00 a.m.-5:00 p.m., Mon-Fri • (270) 765-6153

RADCLIFF OFFICE

101 West Lincoln Trail Blvd., Radcliff, KY 40160
8:00 a.m.-5:00 p.m., Mon-Fri • (270) 351-2199
(Office closed from 12:30-1:30 daily)

TOLL-FREE BUSINESS CALLS — 1-888-637-4247

EMERGENCY PHONE NUMBER — (270) 769-6396

EMERGENCY TOLL-FREE CALLS — 1-800-572-1147

Web site: www.nolinrecc.com

e-mail: comments@nolinrecc.com

BOARD OF DIRECTORS

David P. Brown
Gene Straney
A.L. Rosenberger
Lawrence Ireland
Rick Thomas
Linda Grimes

ATTORNEY

John J. Scott

President & CEO

Michael L. Miller

NOLIN
RURAL ELECTRIC COOPERATIVE CORPORATION