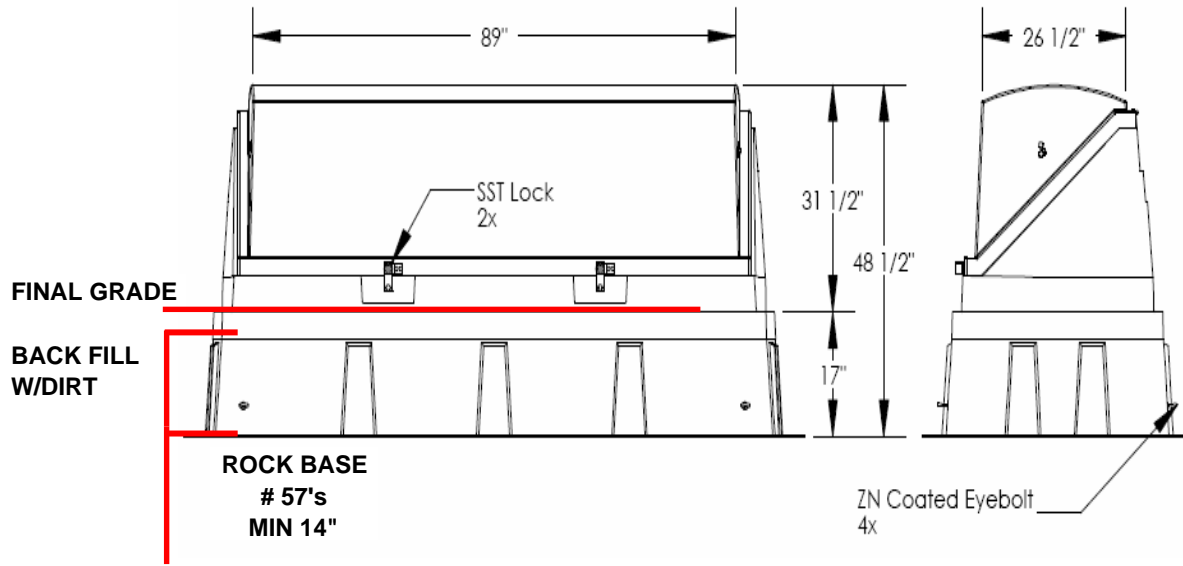


1-270-765-6153
1-888-637-4247



DIMENSIONS ARE IN INCHES
TOLERANCES: ANGLES $\pm 1^\circ$
FRACTIONAL $\pm 1/32$
ONE PLACE DECIMAL $\pm .060$
TWO PLACE DECIMAL $\pm .030$
THREE PLACE DECIMAL $\pm .015$

